

FRF-148: Conformal C-Band Antenna

Description:

The FIRST RF Corporation FRF-148 antenna is a small conformal flush mounted antenna providing efficient hemispherical pattern coverage over the 5.4 – 5.9 GHz band. It is well suited for weapons, aircraft and UAVs or other conformal flush-mounted installations.

RF Performance Overview:

Frequency:
5.4 – 5.9 GHz

VSWR:
< 2.0:1

Polarization:
RHCP

Impedance:
50 omhs

Radiation Pattern:
Hemispherical

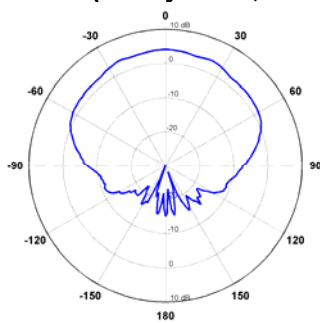
Power Handling:
50 W Continuous

Antenna Gain (typical):

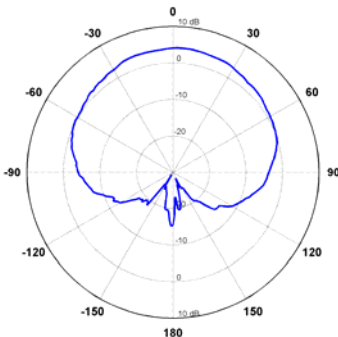
5.5 GHz
5.75 GHz
5.9 GHz

3.0 dBic
4.4 dBic
1.2 dBic

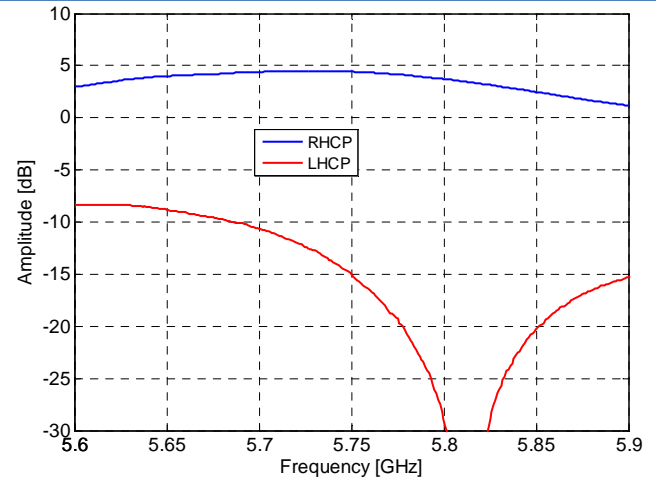
Radiation Pattern (18" cylinder, band center):



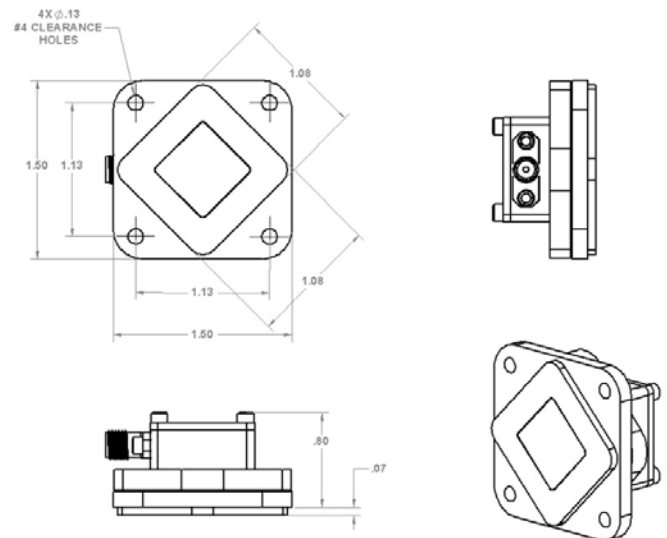
Pitch



Roll



Mechanical Overview:



Weight:
2.0 oz

Physical Dimensions:
1.5" x 1.5" (38mm x 38mm)
overall
1.0" x 1.0" (25mm x 25mm)
cutout

Connector:
SMA female

Environmental:

Protection:
Sealed from rain, sand, dust,
salt fog in accordance with
MIL-STD-810.

